

INTELLICLAMP 3D

MULTIFUNCTIONAL CONNECTOR



3D multifunctional connector mounted inside of two units that will align both the units themselves and the two units in X-, Y- and Z-axis in relation to each other. Each half of the 3D-Intelliclamp multifunctional connector stabilize the separate units in 90° angle when mounted in the frame corners, and when connected to each other by tightening the connecting part the separate units are secured and aligned in all three dimensions in relation to each other.

This patent pending solution do not only offer a perfect alignment and connection of your units, but it's also concealed and hidden on the inside creating a fabulous looking set of separate units coming together as one.

VDI
6022

MATÉRIAU

Cover: Glass fibre reinforced polyamide PA6 (PA6GF30)

Interlocking parts: Zinc die-cast, black texture powder coated or zinc plated

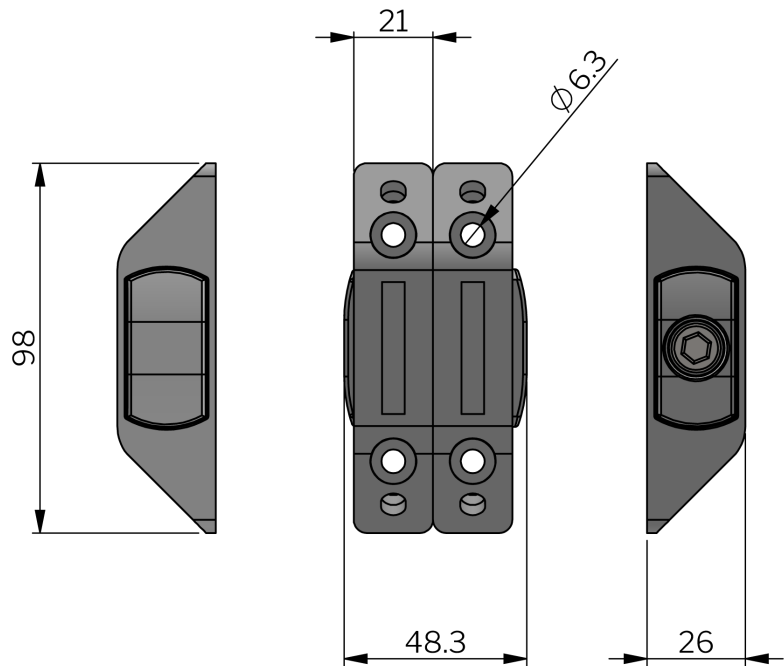
Écrou: Acier, galvanisé

Vis : Acier, galvanisé

RELATED PRODUCTS

Similar products: 5-400, 5-401

Use the Index Code at industrilas.com



Industrilas
— When access counts —

P/N	Traitement de surface
271140-01	Zinc plated
271640-01	Revêtement en poudre noir texturé